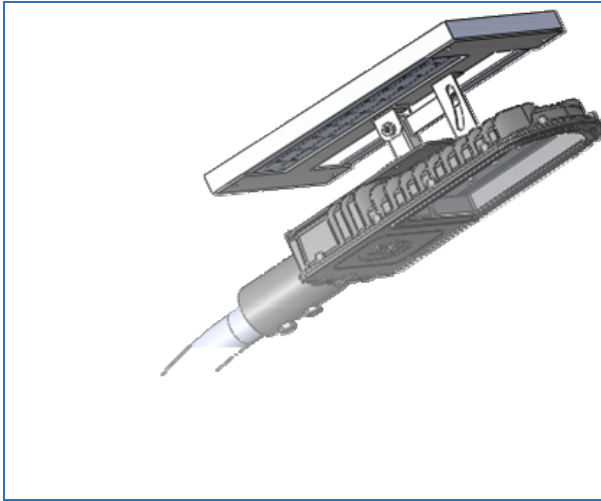


## Nano Moon™ - Solar LED Street Light

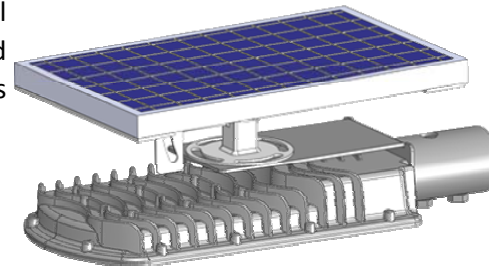


### Benefits:

- ◆ **Solar Powered**
- ◆ Auto ON/OFF with ambient light
- ◆ Programmable Dimming
- ◆ Less attractive to nocturnal insects
- ◆ Highly efficient electrical system
- ◆ Optically efficient
- ◆ Higher light output even at low temp.
- ◆ IP 68 (Dust proof and water proof)
- ◆ Luminaire efficacy > 100lm/W

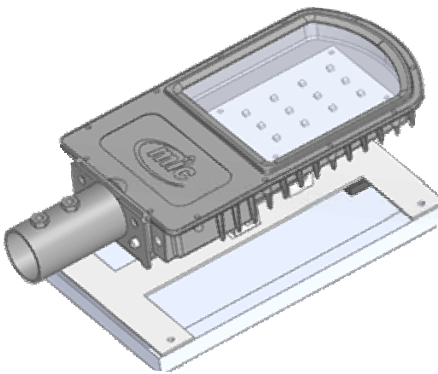
### Thermal Management

Our patent pending housing incorporates the best thermal management via a split fin design to dissipate heat faster and away from the LEDs and ensuring optimum efficiency as well as assured long life span.



### Install and Forget

Shipped as a single fixture along with the mounting arrangement and the solar panel the integrated solar street light can be installed directly out of the box.



### Protections

Battery overcharge, deep discharge, SPV Module Reverse Polarity, Open Circuit

### Indications

Green—Battery Charging Indication  
Red—Battery deep charge condition

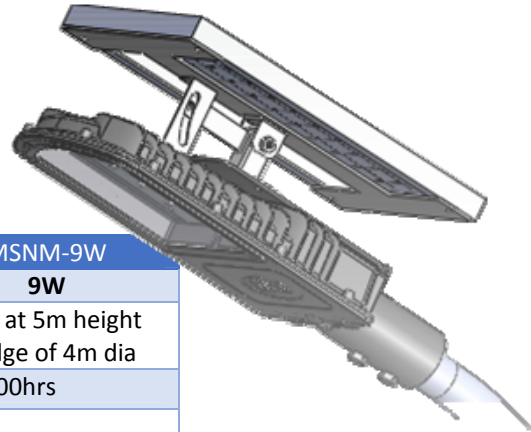
### Energy Efficient and Environment-Friendly

The Solar LED Street Light is energy efficient and also environmentally friendly containing no Mercury and is completely RoHS compliant.

Application: Rural Areas, Lawns, Resorts, Golf Course

## Nano Moon™ - Solar Street Light

## Specifications



Model No.	MSNM-5W	MSNM-9W
<b>Power Consumption</b>	<b>5W</b>	<b>9W</b>
<b>Light Output</b>	15 Lux at 4m height and edge of 4m dia	15 Lux at 5m height and edge of 4m dia
<b>LED Life Span</b>	> 50,000hrs	> 50,000hrs
<b>CRI</b>	> 70	> 70
<b>CCT</b>	5700K	5700K
<b>Beam Angle</b>	80°	80°
<b>LED Efficacy</b>	>150 lm/W	>150 lm/W
<b>Operating Voltage</b>	11.1V DC	11.1V DC
<b>Solar Panel</b>	24Wp	37Wp
<b>Battery</b>	11.1V, 8.8Ah Li-on (inbuilt)	11.1V, 13.2Ah Li-on (inbuilt)
<b>Duty Cycle</b>	12 hours/day	12 hours/day
<b>Autonomy</b>	2 days	2 days
<b>Dimming</b>	4 hours full bright(5W), 8 hours dim mode(2.5W)	4 hours full bright(9W), 8 hours dim mode(3.5W)
<b>Ingress Protection</b>	IP 65	IP 65
<b>Dimensions (LxWxT)</b>	356 x 200 x 64 mm	356 x 200 x 64 mm
<b>Installation Tube Dia.</b>	34-50mm	34-50mm
<b>Weight</b>	5kg	5kg
<b>Mounting Height</b>	4 to 6m	4 to 6m
<b>Operating Temp.</b>	0°C to 50°C	0°C to 50°C
<b>Storage Temp.</b>	-10°C to 70°C	-10°C to 70°C
<b>Humidity</b>	10% to 95% RH	10% to 95% RH