

## Corona™ - LED Street Light Anchor Light 140-170W

140W LED Street Light from MIC is a replacement for 250W HPSV. Option to choose from two models, 140W with 14700lm and 170W with 17916lm, both delivering an industry leading 105lm/W. Available in both pole mount and high mast mount options.

### ■ Product advantages

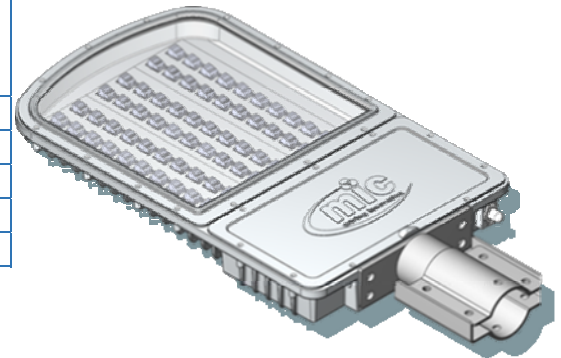
- 105 lm/W system efficacy
- Highly efficient electrical system
- IP 66 (Dust proof and water proof)
- Low Power Consumption (upto 50% less than conventional lights)
- Higher light output even at low temp.
- Available in Type II or Type III lens

### ■ Features

Model No	Corona-140	Corona-170
Equivalent to	250W HPSV	250W HPSV
Operating Voltage (V)	90-300V	90-300V
Rated Voltage ( V )	220-240V	220-240V
Rated Wattage ( W )	140	170
Frequency ( Hz )	50/60Hz	50/60Hz
Input Current ( A max. )	1.28	1.55
Power Factor	≥0.95	≥0.95
THD	<10%	<10%
Surge Protection	20kV/10kA	20kV/10kA
Luminous Flux ( lm )	14700	17916
Colour Rendering Index (Ra)	>70	>70
Color Temperature (K)	5700	5700
Lamp Efficacy ( lm / W )	105	105
Rated Lamp Lifetime ( h )	50 000	50 000
Lumen maintenance factor	L70	L70
Starting time	<0.5s	<0.5s
Dimming	Optional	Optional
Operating temperature	0 ~ 50°C	0 ~ 50°C

### ■ Mechanical

Housing/Casing	High Pressure Die cast aluminium casing with toughened glass and aluminium front cover
IP Rating	IP 66
Dimensions ( mm )	600 x 342 x 75
Net Weight ( g )	9Kg
Storage Temperature	-10 ~ 60°C
Humidity	10 ~ 95% RH

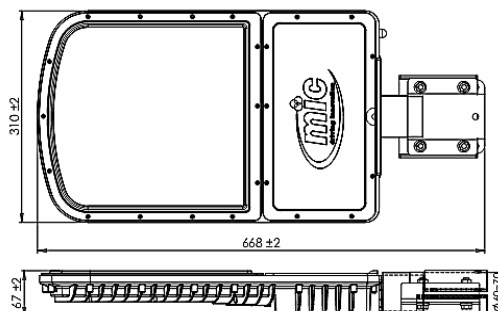


### ■ Installation

Mounting arm dia	<65mm ID
Mounting height	> 12m
Also available with ceiling/wall/high mast mounting bracket	

### ■ Packaging details

Gross weight (kg) 10.0	1pc 615 x 350 x 85 mm
------------------------	-----------------------



\*Due to continuous improvements, technical specifications are subject to change without prior notice.